

HITACHI SUMITOMO

SCX900-2

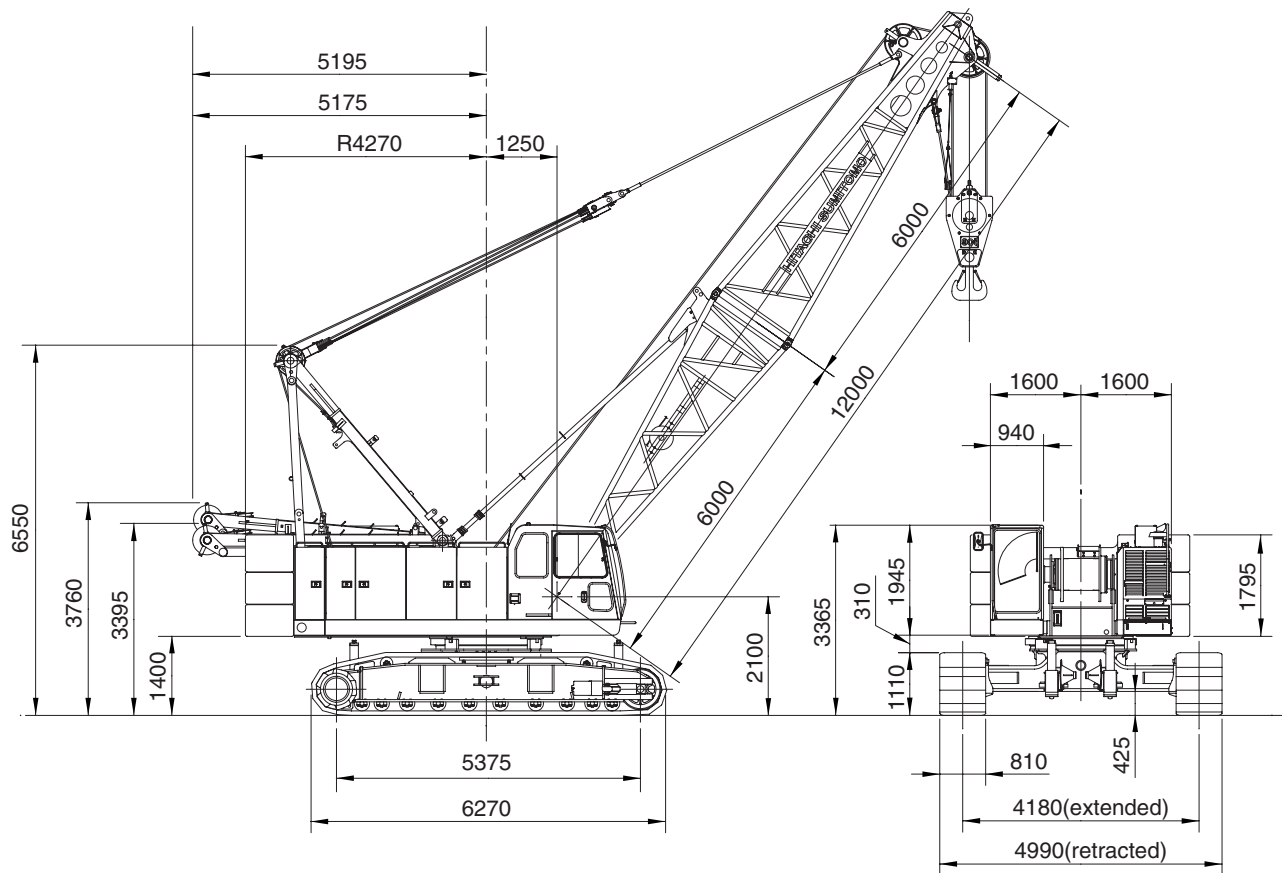
HYDRAULIC CRAWLER CRANE

Specifications

EUROPEAN ISSUE



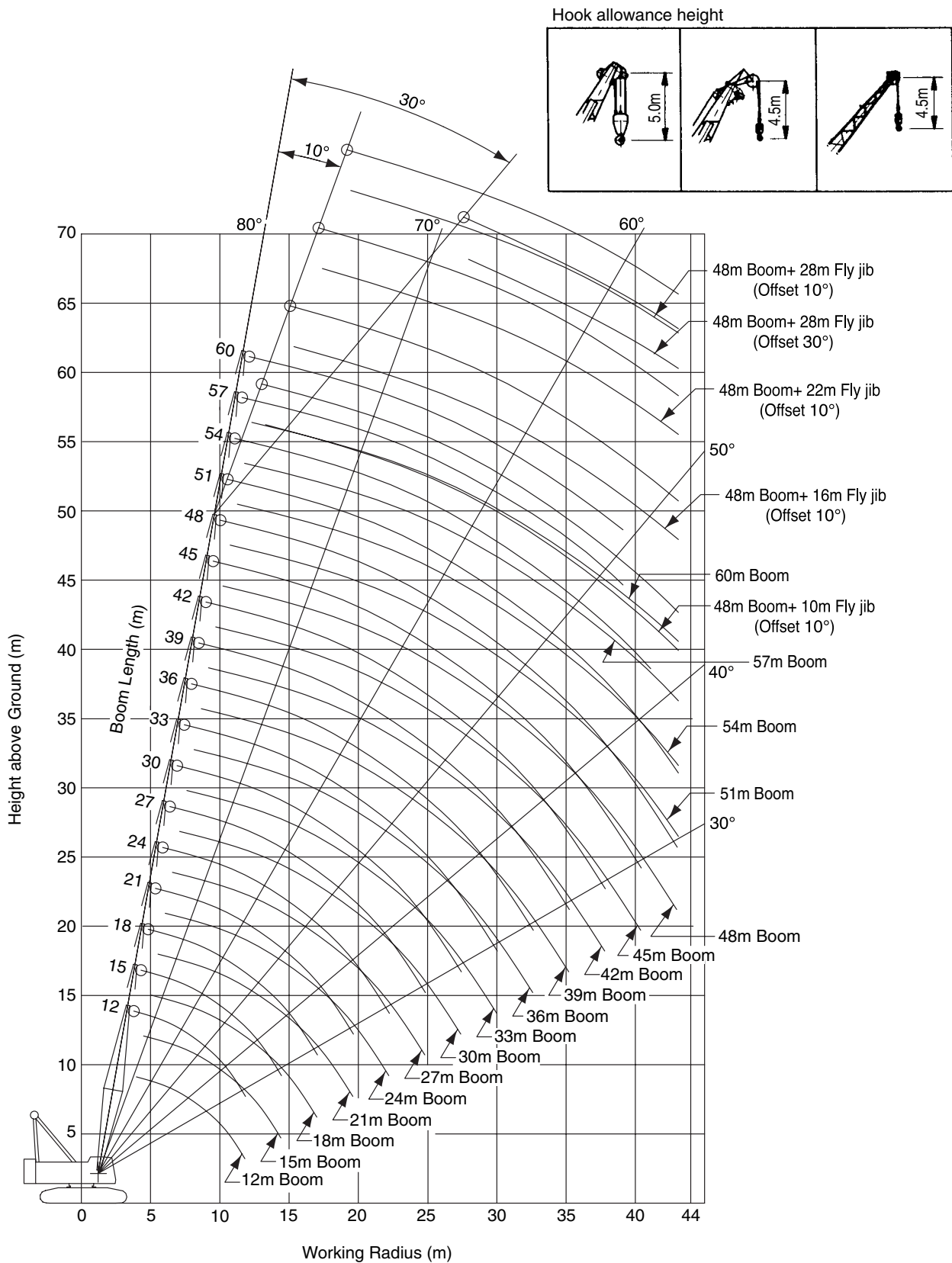
General Dimensions



(in mm)

- Note:**
1. The above general arrangement is under liftcrane application with 12.0m basic boom, optional 90t hook block and optional carbody jack-up device.
 2. When A-frame gantry is lowered, the dimension from center of rotation to the end of A-frame gantry is 5,200mm, and the height from G.L. to the end of the gantry is 3,400mm.

Liftcrane Working Ranges



Notes :

The above diagram shows two kinds of locuses of boom peak sheave and hook points; the lower lines each of boom / fly jib indicate the locus of hook point, and the upper lines each show the locus of boom peak sheave point.

Liftcrane 90 metric tons (1) - EN Rating

LIFTCRANE CAPACITIES:

Boom length (m) Working radius (m)	12.0	15.0	18.0	21.0	24.0	27.0	30.0	33.0	36.0	39.0	42.0	45.0	48.0	51.0	54.0	57.0	60.0
4.0	90.00																
4.5	81.95	78.55															
5.0	72.80	68.75	63.55/5.1														
5.5	64.35	61.05	58.10	54.25/5.6													
6.0	57.35	54.90	52.40	50.15	46.30/6.2												
6.5	50.60	49.85	47.70	45.75	43.95	40.95/6.7											
7.0	45.25	45.20	43.75	42.05	40.50	39.05	36.00/7.3	32.35/7.8									
8.0	37.25	37.15	37.05	36.15	34.90	33.75	32.65	31.50	29.05/8.4	26.45/8.9							
9.0	31.55	31.45	31.35	31.25	30.60	29.65	28.70	27.75	27.00	26.15	24.15/9.4						
10.0	27.35	27.20	27.10	27.00	26.85	26.40	25.60	24.75	24.10	23.35	22.60	21.90	19.70/10.5	17.30/11.1	15.35/11.6		
12.0	21.90/11.8	21.30	21.15	21.05	20.90	20.85	20.70	20.20	19.70	19.10	18.50	17.95	17.55	17.00	15.30	13.60/12.2	11.80/12.7
14.0		17.35	17.20	17.10	16.95	16.85	16.75	16.55	16.50	16.00	15.50	15.00	14.70	14.20	13.75	13.30	11.25
16.0		16.75/14.4	14.40	14.30	14.10	14.05	13.90	13.70	13.65	13.50	13.20	12.75	12.50	12.10	11.70	11.30	10.50
18.0			13.30/17.0	12.20	12.00	11.95	11.80	11.60	11.50	11.35	11.15	11.00	10.80	10.40	10.00	9.65	9.30
20.0				10.90/19.6	10.40	10.30	10.15	9.95	9.85	9.70	9.50	9.35	9.30	9.00	8.65	8.35	7.95
22.0					9.10	9.00	8.85	8.65	8.55	8.40	8.20	8.05	8.00	7.80	7.55	7.20	6.90
24.0					9.00/22.2	7.95	7.80	7.55	7.45	7.30	7.10	6.95	6.90	6.70	6.55	6.30	5.95
26.0						7.55/24.8	6.90	6.70	6.60	6.45	6.20	6.05	6.00	5.80	5.65	5.50	5.15
28.0							6.35/27.4	5.95	5.85	5.65	5.45	5.30	5.25	5.05	4.90	4.70	4.45
30.0								5.30	5.20	5.05	4.80	4.65	4.60	4.40	4.25	4.05	3.85
32.0									4.65	4.50	4.25	4.10	4.05	3.85	3.65	3.50	3.30
34.0									4.50/32.6	4.00	3.80	3.60	3.55	3.35	3.15	3.00	2.80
36.0										3.75/35.2	3.35	3.20	3.10	2.90	2.75	2.55	2.40
38.0											3.05/37.8	2.80	2.70	2.50	2.35	2.20	2.00
40.0												2.50	2.40	2.20	2.00	1.85	1.65
42.0												2.40/40.4	2.10	1.85	1.70	1.55	1.50/41.0
44.0													1.95/43.0	1.60	1.50/43.6	1.50/42.3	
44.7														1.50			

WORKING MASS & GROUND PRESSURE:

Shoe width	Mass	Pressure
810mm	85.0t	89.0kPa <0.91kg/cm²>

Note: Working mass shown above is with 12.0m basic boom, 29.7ton counterweight, 2.0ton auxiliary weight and optional 90t hook block.

Fly Jib Capacities (1) - EN Rating

Boom length(m)	33.0								36.0							
Jib length(m)	10.0		16.0		22.0		28.0		10.0		16.0		22.0		28.0	
Jib offset angle (°)	10	30	10	30	10	30	10	30	10	30	10	30	10	30	10	30
Working radius(m)																
11.2	11.00								11.00/11.7							
12.0	11.00		11.00/13.3						11.00		11.00/13.8					
14.0	11.00	11.00/14.2	11.00		6.40/15.4				11.00	11.00/14.7	11.00		6.40/15.9			
16.0	11.00	11.00	11.00		6.30		3.45/17.5		11.00	11.00	11.00		6.40			
18.0	11.00	11.00	10.95	8.80	6.05		3.40		11.00	11.00	10.90	8.80/18.6	6.15		3.45	
20.0	10.10	10.55	10.40	8.60	5.80	4.35/21.9	3.25		10.00	10.45	10.20	8.65	5.90		3.30	
22.0	8.75	9.10	9.05	8.25	5.60	4.35	3.10		8.60	9.05	8.90	8.35	5.70	4.35/22.5	3.15	
24.0	7.65	7.95	7.90	7.90	5.40	4.25	2.95	21.5/25.8	7.50	7.85	7.80	8.05	5.50	4.25	3.00	
26.0	6.70	7.00	7.00	7.45	5.20	4.15	2.85	2.15	6.60	6.90	6.85	7.35	5.30	4.15	2.90	2.15/26.4
28.0	5.95	6.20	6.20	6.60	5.05	4.05	2.70	2.05	5.80	6.10	6.10	6.55	5.15	4.05	2.75	2.10
30.0	5.30	5.50	5.50	5.90	4.90	3.95	2.60	2.00	5.15	5.40	5.40	5.80	4.95	3.95	2.65	2.00
32.0	4.70	4.90	4.95	5.25	4.75	3.85	2.50	1.95	4.60	4.80	4.80	5.15	4.85	3.90	2.55	1.95
34.0	4.20	4.35	4.45	4.70	4.60	3.80	2.45	1.90	4.10	4.25	4.30	4.60	4.50	3.80	2.50	1.90
36.0	3.80	3.90	4.00	4.25	4.15	3.75	2.35	1.85	3.65	3.80	3.85	4.15	4.00	3.75	2.40	1.85
38.0	3.40	3.50	3.60	3.80	3.70	3.65	2.25	1.80	3.25	3.35	3.45	3.70	3.60	3.70	2.30	1.85
40.0	3.10/39.8	3.10	3.25	3.40	3.40	3.65	2.20	1.75	2.90	3.00	3.10	3.30	3.25	3.60	2.25	1.80
42.0		3.05/40.4	2.95	3.05	3.05	3.35	2.15	1.75	2.60	2.65	2.80	2.95	2.95	3.25	2.20	1.75
44.0			2.65	2.75	2.80	3.00	2.10	1.70	2.55/42.4	2.50/43.0	2.50	2.65	2.65	2.90	2.15	1.70
46.0			2.45/45.4	2.45	2.50	2.70	2.05	1.70			2.25	2.35	2.40	2.60	2.05	1.70
48.0				2.40/46.4	2.30	2.45	2.00	1.65			2.00	2.10	2.15	2.35	2.00	1.70
50.0					2.05	2.20	1.95	1.65				1.95/49.0	1.90	2.10	2.00	1.65
52.0					1.95/51.0	1.95	1.90	1.65					1.70	1.85	1.80	1.65
54.0						1.90/52.4	1.75	1.65					1.60/53.6	1.65	1.60	1.65
56.0							1.60	1.65						1.55/55.0	1.50/55.3	1.65
58.0							1.55/56.7	1.55								1.50/57.5
58.4								1.50								

Boom length (m)	39.0								42.0							
Jib length (m)	10.0		16.0		22.0		28.0		10.0		16.0		22.0		28.0	
Jib offset angle (°)	10	30	10	30	10	30	10	30	10	30	10	30	10	30	10	30
Working radius (m)																
12.3	11.00								11.00/12.8							
14.0	11.00	11.00/15.2	11.00/14.4						11.00	11.00/15.8	11.00/14.9					
16.0	11.00	11.00	11.00		6.40/16.5				11.00	11.00	11.00		6.40/17.0			
18.0	11.00	11.00	10.95	8.80/19.1	6.20		3.45/18.6		10.85	11.00	10.85	8.80/19.7	6.25		3.40/19.1	
20.0	9.80	10.30	9.85	8.70	5.95		3.35		9.45	10.00	9.50	8.75	6.05		3.40	
22.0	8.45	8.90	8.70	8.50	5.75	4.35/23.0	3.20		8.25	8.75	8.35	8.60	5.80	4.30/23.6	3.25	
24.0	7.35	7.75	7.65	8.15	5.55	4.30	3.10		7.15	7.55	7.40	8.10	5.65	4.30	3.15	
26.0	6.45	6.75	6.70	7.25	5.40	4.20	2.95	2.10/26.9	6.20	6.60	6.50	7.10	5.45	4.20	3.00	2.10/27.5
28.0	5.65	5.95	5.90	6.40	5.20	4.10	2.85	2.10	5.45	5.75	5.70	6.25	5.30	4.10	2.90	2.10
30.0	5.00	5.25	5.25	5.65	5.05	4.00	2.75	2.05	4.75	5.05	5.05	5.50	5.15	4.05	2.80	2.05
32.0	4.40	4.65	4.65	5.05	4.85	3.90	2.65	1.95	4.20	4.45	4.45	4.90	4.65	3.95	2.70	1.95
34.0	3.90	4.10	4.15	4.50	4.30	3.85	2.55	1.95	3.70	3.90	3.95	4.30	4.15	3.90	2.60	1.95
36.0	3.45	3.65	3.70	4.00	3.85	3.80	2.50	1.90	3.25	3.45	3.50	3.85	3.65	3.80	2.55	1.90
38.0	3.05	3.20	3.30	3.55	3.45	3.75	2.35	1.85	2.85	3.00	3.10	3.40	3.25	3.70	2.40	1.90
40.0	2.70	2.85	2.95	3.15	3.10	3.45	2.20	1.85	2.50	2.65	2.75	3.00	2.90	3.30	2.35	1.85
42.0	2.40	2.50	2.60	2.80	2.75	3.10	2.00	1.80	2.20	2.30	2.40	2.65	2.55	2.95	2.30	1.80
44.0	2.15	2.20	2.35	2.50	2.45	2.75	2.00	1.75	1.90	2.00	2.10	2.35	2.30	2.60	2.20	1.75
46.0	2.00/45.0	2.00/45.6	2.05	2.20	2.20	2.50	1.90	1.70	1.65	1.75	1.85	2.05	2.00	2.30	2.10	1.70
48.0			1.85	1.95	1.95	2.20	1.80	1.65	1.50/47.6	1.50	1.60	1.80	1.75	2.05	1.85	1.50
50.0			1.60	1.70	1.75	1.95	1.75	1.50			1.50/49.0	1.50	1.55	1.80	1.55	
52.0			1.55/50.6	1.55/51.6	1.55	1.70	1.55					1.50/50.3	1.55/50.2	1.55	1.50/50.3	
54.0					1.50/52.4	1.50	1.50/52.5							1.50/52.4		

Boom length (m)	45.0								48.0							
Jib length (m)	10.0		16.0		22.0		28.0		10.0		16.0		22.0		28.0	
Jib offset angle (°)	10	30	10	30	10	30	10	30	10	30	10	30	10	30	10	30
Working radius (m)																
13.3	11.00								11.00/13.9							
14.0	11.00		11.00/15.4						11.00							
16.0	11.00	11.00/16.3	11.00		6.35/17.5				10.80	10.90/16.9	9.85					
18.0	10.45	11.00	10.50		6.30		3.40/19.7		10.20	10.75	9.70		6.35/18.1			
20.0	9.10	9.65	9.15	8.80/20.2	6.10		3.40		8.85	9.60	8.95	8.75/20.8	6.15		3.40/20.2	
22.0	7.95	8.45	8.05	8.65	5.90		3.25		7.70	8.25	7.85	8.65	5.95		3.30	
24.0	6.95	7.45	7.10	7.80	5.70	4.30/24.1	3.10		6.75	7.25	6.90	7.65	5.75	4.30/24.7	3.15	
26.0	6.05	6.45	6.25	6.95	5.55	4.20	3.00		5.95	6.35	6.10	6.75	5.60	4.25	3.05	
28.0	5.25	5.60	5.55	6.10	5.35	4.15	2.90	2.10	5.20	5.55	5.40	6.00	5.45	4.15	2.95	2.10/28.6
30.0	4.60	4.90	4.85	5.40	5.05	4.05	2.80	2.05	4.50	4.85	4.75	5.30	4.85	4.05	2.85	2.05
32.0	4.00	4.30	4.30	4.75	4.50	4.00	2.70	2.00	3.90	4.20	4.20	4.65	4.30	4.00	2.75	2.00
34.0	3.50	3.75	3.75	4.20	3.95	3.90	2.60	1.95	3.40	3.70	3.65	4.10	3.85	3.95	2.65	1.95
36.0	3.05	3.30	3.30	3.70	3.50	3.85	2.55	1.90	2.95	3.20	3.20	3.60	3.40	3.85	2.55	1.90
38.0	2.65	2.85	2.90	3.25	3.10	3.60	2.45	1.85	2.55	2.80	2.80	3.15	3.00	3.50	2.50	1.85
40.0	2.30	2.50	2.55	2.85	2.75	3.20	2.40	1.80	2.20	2.40	2.45	2.80	2.60	3.10	2.40	1.85
42.0	2.00	2.15	2.25	2.50	2.40	2.80	2.30	1.80	1.90	2.05	2.10	2.40	2.30	2.75	2.35	1.80
44.0	1.75	1.85	1.95	2.20	2.10	2.50	2.25	1.75	1.60	1.75	1.85	2.10	2.00	2.40	2.15	1.75
46.0	1.50/45.6	1.55	1.65	1.90	1.85	2.15	1.95	1.75	1.55/44.6	1.50	1.55	1.80	1.75	2.10	1.85	1.70
48.0		1.50/46.3	1.50/47.4	1.60	1.60	1.90	1.70	1.70			1.50/46.4	1.55	1.50	1.80	1.60	1.65
50.0				1.50/49.0	1.50/48.8	1.65	1.50/49.5	1.70				1.50/48.3		1.55	1.50/48.1	1.55
52.0						1.50/51.1		1.65						1.50/50.3		1.50/52.5
53.1								1.50								

Boom length (m)	51.0			
Jib length (m)	10.0		16.0	
Jib offset angle (°)	10	30	10	30
Working radius (m)				
13.3				
14.0	9.50/14.4			
16.0	9.30	10.70/17.4	8.60/16.5	
18.0	9.00	10.55	8.50	
20.0	8.25	9.40	8.35	8.20/21.3
22.0	7.20	8.10	7.50	8.15
24.0	6.25	7.10	6.55	7.35
26.0	5.45	6.20	5.75	6.50
28.0	4.80	5.40	5.10	5.75
30.0	4.15	4.70	4.45	5.05
32.0	3.65	4.00	3.95	4.50
34.0	3.15	3.50	3.45	4.95
36.0	2.70	3.00	3.00	3.45
38.0	2.35	2.60	2.60	3.00
40.0	2.00	2.20	2.25	2.60
42.0	1.65	1.85	1.90	2.25
44.0	1.50/42.9	1.50	1.65	1.95
46.0			1.50/45.0	1.65
48.0				1.50/47.0

Notes — Fly jib capacities (1)

1. Capacities included in these charts are the maximum allowable, and are based on machine standing level on firm supporting surface under ideal job conditions.
2. Capacities are in metric tons, and are rated in accordance with EN13000 Standard.
3. Capacities are based on freely suspended loads and make no allowance for such factors as the effect of wind, sudden stopping of loads, supporting surface conditions, and operating speeds. Operator must reduce load ratings to take such conditions into account. Deduction from rated jib capacities must be made for weight of hook block, weighted ball/hook, sling, spreader bar, or other suspended gear.
Hook block weight is as follows;
11t.....0.3ton
4. All capacities are rated for 360° swing.
5. Least stable rated position is over the side.
6. A 29.7ton counterweight and 2.0ton aux.weight (or opt.3rd drum) are required for all capacities on these charts.
7. Crawler side frame must be fully extended for all operating conditions.
8. Attachment must be erected and lowered over the ends of the crawler mounting.
9. Maximum fly jib length permitted is 28.0m, and maximum boom and fly jib combination length permitted is 48.0m boom plus 28.0m fly jib, or 51.0m boom plus 16.0m fly jib.